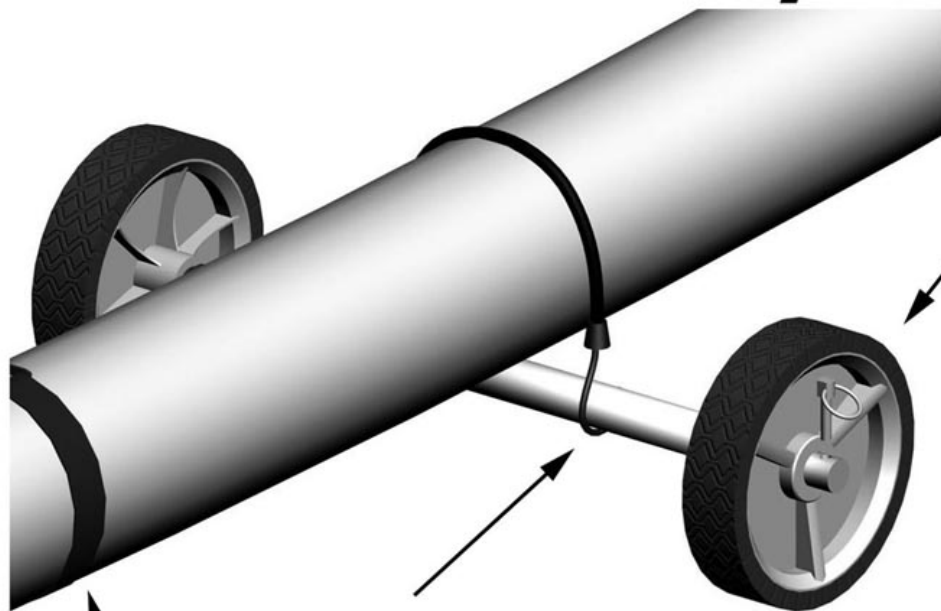


Solar Caddy Assembly



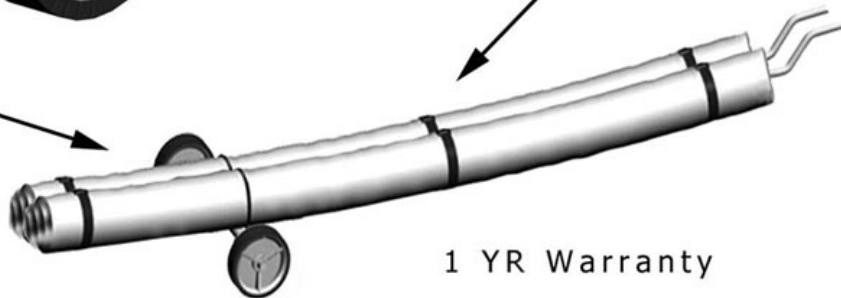
Install wheels onto axle and insert the lynch pins into axle holes to lock on wheels. Flip down spring lynch pin rings to secure rings over ends of axle.

Roll up covers and tote along to a storage area using caddy.

Attach rolls using stretchable bungee

Wrap each roll in the protective cover and secure with cinch straps

Double stack rolls if you have room



1 YR Warranty